

## Kimitherm T-CONNECT

ST3-0221

*Fastening system for EPS insulation panels*



### DESCRIZIONE

**Kimitherm T-CONNECT** is a fastening system, CE certified in accordance with ETAG 014, it is used for the implementation of insulation commonly known as external insulation (ETICS = External Thermal Insulation Composite System). The fastening consists of a PEHD plug and a PA 6 pin loaded with fiberglass very resistant to impact with the hammer.

It complies and it is certified according to the requirements of the ETAG004 for anchors for external insulation systems.

### USES

The system is used for fastening polystyrene insulating panels on concrete, solid and perforated brick supports.

### WORKS

- External thermal insulation composite system (SA30);

### APPLICATION

The installation of the anchoring system will be performed after gluing the insulating panel **Kimitherm EPS 100** to the wall (the adhesive mortar **Betonfix TERMORASA** must be hardened).

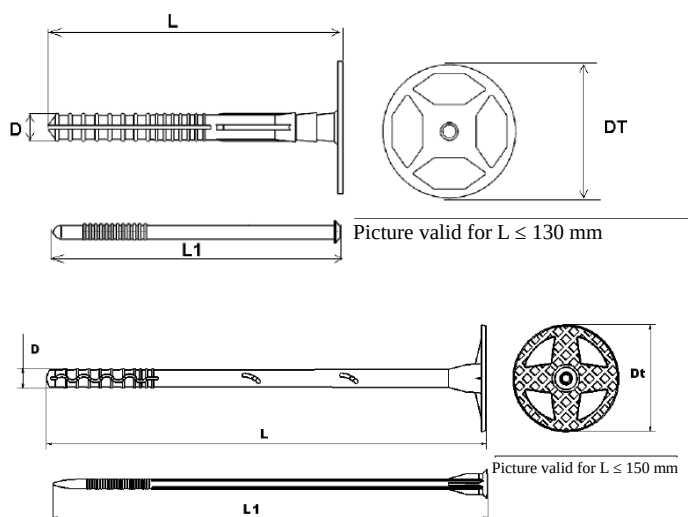
Drill with a 10 mm drill bit of the proper depth. It is advisable to provide at least 3 cm for the anchoring to the substrate. Insert the nylon pin into the plug by hitting it with a hammer and thus causing its expansion. The pin must be fully inserted into the plug for a proper sealing. In case of imperfect application or fixing connectors with flaws, repeat the application using a new connector.

The spacing between the anchors and the distance from the edge must be at least 100 mm.

Connectors must be installed on panel joints and at least one in central position. Minimum quantity is 5-6 connectors/m<sup>2</sup>.

Near the edges of the building is strongly recommended to improve the above-mentioned quantity.

The suitable length of the connector must be calculated taking into account the following elements: thickness of the insulating panel, thickness of the adhesive coat, thickness of the plaster (when included) and required anchoring depth.



Kimitherm T-CONNECT	Lunghezza [mm]				
	90	110	130	150	180

System elements	Material	Geometric characteristics
Body	EHD	ΦT 50-58 mm (diametro testa)
Pin	nylon PA6 loaded with fibre glass at 30%	D = 10 mm; L = 60-240 mm; L1 = 68-238 mm

System	Tensile strength [KN]			
	Hollow brick	CIs C20/25	CIs C50/60	Solid brick
Kimitherm T-CONNECT	0,22	0,39	0,42	0,47

## PACKAGING

Box 250 pcs

## WARNING

Product intended for professional use.

Contact our Technical Department in case of wooden slabs.

It is recommended to use gloves..

Store the plugs at temperatures above 0 ° C.

Assembly temperature between 10 ° and 40 ° C is recommended.

The marking obligations are not related to the intrinsic nature of a given product, but to the use to which a specific material is used: before making the order in Kimia, the buyer shall submit all the documentation available to the construction supervision in order to determine the materials suitability (in terms of certifications and performance) in relation to the use for which they are intended.

The information and requirements indicated in this Technical Data Sheet are based on our current knowledge and experience and are to be considered, in any case, purely indicative. They cannot guarantee the final result of the applied product and they have to be confirmed by exhaustive practical applications; therefore the user must test the suitability of the product for the intended application and its purpose. Users must always refer to the latest version of the local technical data sheet related to the product.

## TECHNICAL SPECIFICATIONS

### SK30 - External thermal insulation composite system

**(SK 30)** External thermal insulation after bonding and skimming expanded polystyrene insulation panels such as Kimitherm EPS 100 by Kimia S.p.A. or similar product with Betonfix smoothing mortar TERMORASA by Kimia S.p.A. or similar product.

Kimitherm EPS 100 expanded polystyrene panel by Kimia SpA or similar product, compliant with the UNI EN 13163 standard and certified according to the requirements of ETAG004 for insulation panels for external insulation systems. Its characteristics: size 1000x500 mm , fire reaction class E, thermal conductivity equal to 0.036 W/(mK), flexural strength> 150 KPa, tensile strength> 150 KPa, compressive strength at 10% deformation> 100 KPa, water vapor permeability: 30-70.

The ready-to-use skimming mortar will be prepared and applied following scrupulously the indications given on the technical data sheet provided by the Manufacturer and will be compliant and certified according to the requirements of ETAG004 for skim coats and adhesives for coat insulation systems and it will be respect the following specifications: Bulk density UNI 9446:  $1,22 \pm 0,1$  g/cm<sup>3</sup>; Fresh mortar bulk density EN 1015-6:  $1680 \pm 50$  Kg/m<sup>3</sup>; Maximum granulometry EN 1015-1: 0,5 mm; Duration EN 1015-9:  $75 \pm 5$  minuti; Consistency UNI 7044/72: 50-70%, Minimum temperature for application: 5°C.

The application can be carried out in two ways: bonding of a perimeter curb and central points or full surface bonding.

After fixing the panels using the fixing system Kimitherm T-CONNECT by Kimia S.p.A. or similar product, installation of the leveling layer by incorporating glass fiber mesh Kimitech 350 by Kimia S.p.A. or similar product.

Finishing by cycle with acrylic tonachino consisting of Kimipaint HYDRO primer by Kimia S.p.A. or similar product and Kimipaint DECO by Kimia S.p.A. or similar product, cycle with siloxane tonachino consisting of Kimipaint SIL BASE primer by Kimia S.p.A. or similar product and Kimipaint SIL TOP finish by Kimia S.p.A. or similar product, or cycle with acrylic paint consisting of primer Betonfix R52 by Kimia S.p.A. or similar product and Kimipaint EASY by Kimia S.p.A. or similar product.